

SD1.3K

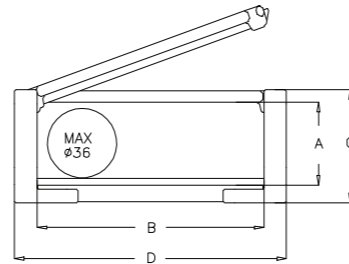
CABLE CARRIERS MEDIUM SERIES

Inner Height (A) 43mm	Code	Radius	(A)mm	(B)mm	(C)mm	(D)mm	Weight Kg/Mt
<ul style="list-style-type: none"> • One side is fixed, other (radius) side • Should be used in supporting trays • Suitable for long distances • Both sides have openable covers (caps) 	SD1.3K 040 R_01	100-150-200-250	43	40	58	64	1.991gr
	SD1.3K 060 R_01	100-150-200-250	43	60	58	84	2.329gr
	SD1.3K 080 R_01	100-150-200-250	43	80	58	104	2.667gr
	SD1.3K 100 R_01	100-150-200-250	43	100	58	124	3.005gr

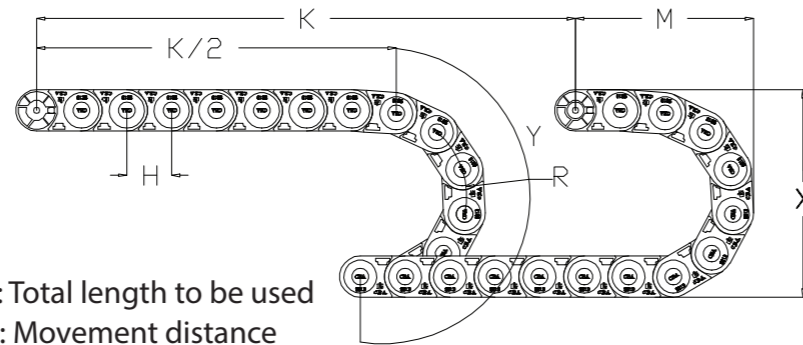
Maximum working speed :5M/S

Radius MUST be given in your orders.Example:

SD1.3K 100 R100



R mm	H mm	X mm	M mm	Y mm
100	63	258	168	430
150	63	358	243	587
200	63	458	259	774
250	63	558	359	874



L: Total length to be used

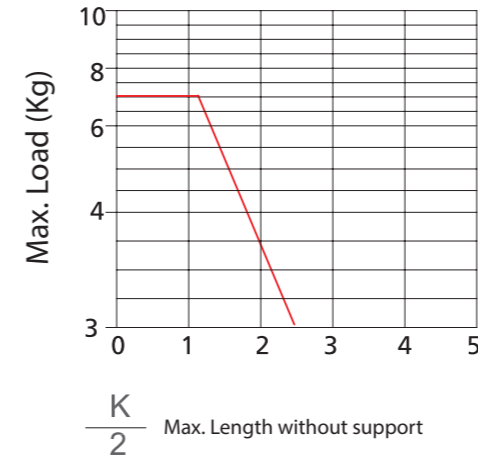
K: Movement distance

Y: Radius

$$L: \frac{K}{2} + Y$$



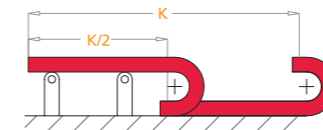
IMPORTANT POINTS



Self-supporting Capacity Diagram

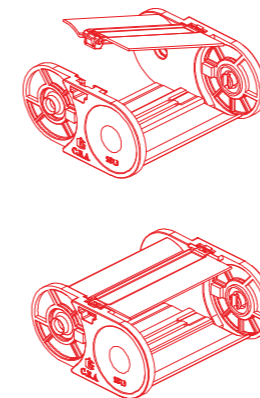
Self-supporting capacity of the cable carrier according to weight of the cables and hoses

$$\frac{K}{2}$$



How to use support rollers:

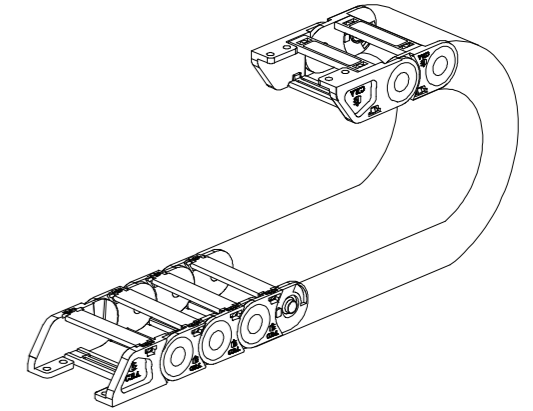
- Support rollers should be used after 3,5 meters
- Make sure that the cap (cover) is fixed properly
- Use an appropriate hand tool (screw driver) to open the cap
- Be careful not to damage the fixing nail of the cap (cover)



How to choose end bracket

End bracket

End brackets are the parts to be used to fix the cable carrier to the machine or equipment .



Should be attached to the both ends of the cable carrier.

CABLE CARRIER CODE	END BRACKET CODE	A	B
SD1.3K 040 R_01	SD1.3K B040	22	64
SD1.3K 060 R_01	SD1.3K B060	42	84
SD1.3K 080 R_01	SD1.3K B080	62	104
SD1.3K 100 R_01	SD1.3K B100	82	124

