

SC1.3K

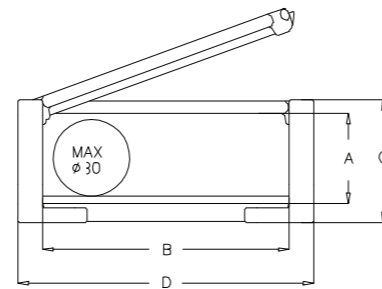
CABLE CARRIERS MEDIUM SERIES

Inner Height (A) 33mm	Code	Radius	(A)mm	(B)mm	(C)mm	(D)mm	Weight Kg/Mt
<ul style="list-style-type: none"> One side is fixed, other (radius) is openable Should be used in supporting trays Suitable for long distances Both sides have openable covers (c) 	SC1.3K 040 R_01	75-100-150-200	33	40	50	60	1.620gr
	SC1.3K 060 R_01	75-100-150-200	33	60	50	80	1.792gr
	SC1.3K 080 R_01	75-100-150-200	33	80	50	100	1.964gr
	SC1.3K 100 R_01	75-100-150-200	33	100	50	120	2.136gr

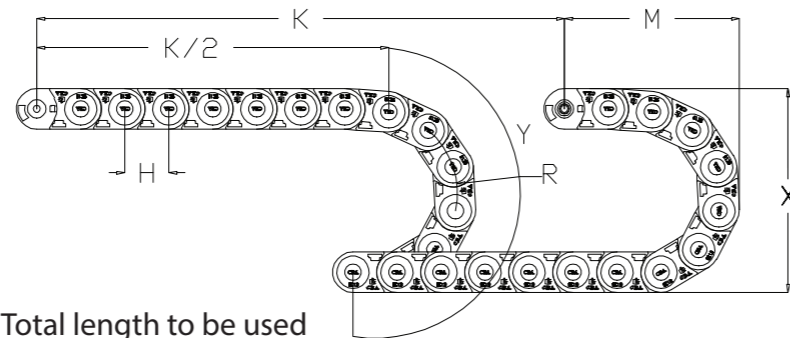
Maximum working speed :5M/S

Radius MUST be given in your orders.Example:

SC1.3K 100 R100



R mm	H mm	X mm	M mm	Y mm
75	54	200	176	343
100	54	250	176	422
150	54	350	214	579
200	54	450	215	632

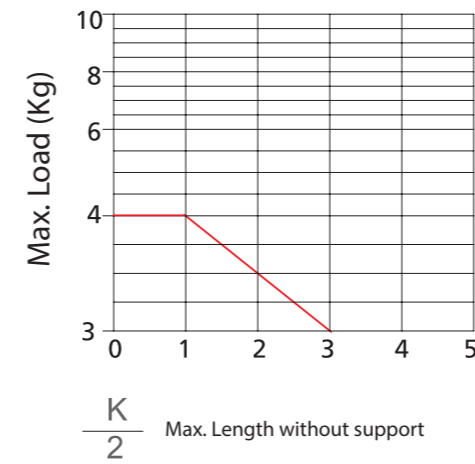


L: Total length to be used
K: Movement distance
Y: Radius

$$L: \frac{K}{2} + Y$$

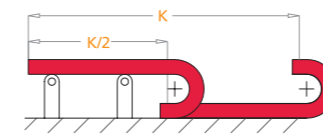


IMPORTANT POINTS



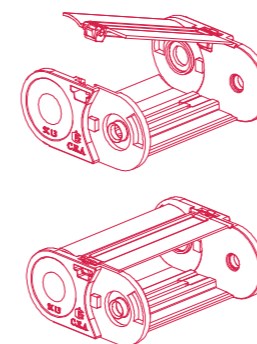
Self-supporting Capacity Diagram

Self-supporting capacity of the cable carrier according to weight of the cables and hoses $\frac{K}{2}$



How to use support rollers:

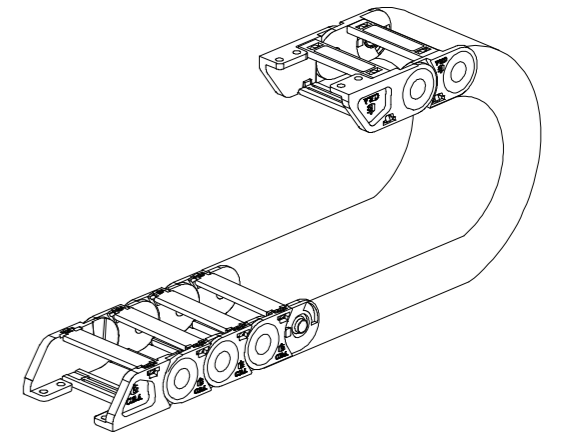
- Support rollers should be used after 3 meters
- Make sure that the cap (cover) is fixed properly
- Use an appropriate hand tool (screw driver) to open the cap
- Be careful not to damage the fixing nail of the cap (cover)



How to choose end bracket

End bracket

End brackets are the parts to be used to fix the cable carrier to the machine or equipment



Should be attached to the both ends of the cable carrier

CABLE CARRIER CODE	END BRACKET CODE	A	B
SC1.3K 040 R_01	SC1.3K B040	22	60
SC1.3K 060 R_01	SC1.3K B060	42	80
SC1.3K 080 R_01	SC1.3K B080	62	100
SC1.3K 100 R_01	SC1.3K B100	82	120

