

# SC1.3

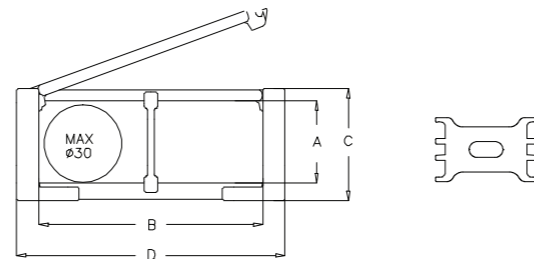
## CABLE CARRIERS MEDIUM SERIES

Inner Height (A) 33mm	Code	Radius	(A)mm	(B)mm	(C)mm	(D)mm	Weight Kg/Mt
<ul style="list-style-type: none"> <li>• One side is fixed, other (radius) side is openable</li> <li>• Should be used in supporting trays</li> <li>• Suitable for long distances</li> <li>• No complete cover (on both sides)</li> <li>• Suitable to use vertical separators</li> </ul>	SC1.3 040 R_01	50-75-100-150-200	33	40	50	60	1.535gr
	SC1.3 060 R_01	50-75-100-150-200	33	60	50	80	1.670gr
	SC1.3 080 R_01	50-75-100-150-200	33	80	50	100	1.805gr
	SC1.3 100 R_01	50-75-100-150-200	33	100	50	120	1.940gr
	SC1.3 120 R_01	50-75-100-150-200	33	120	50	140	2.075gr

Maximum working speed :5M/S

Radius MUST be given in your orders.Example:

SC1.3 060 R100



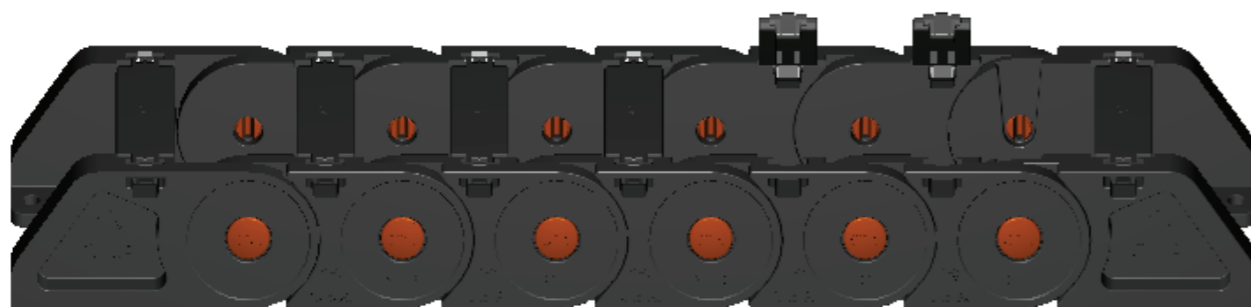
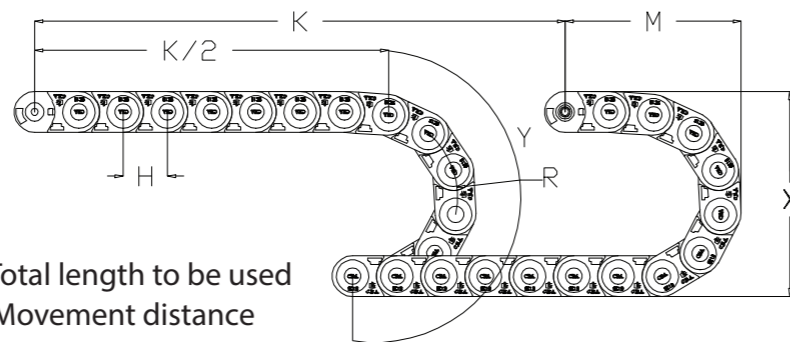
R mm	H mm	X mm	M mm	Y mm
50	54	150	106	265
75	54	200	156	343
100	54	250	206	422
150	54	350	306	579
200	54	450	406	617

L: Total length to be used

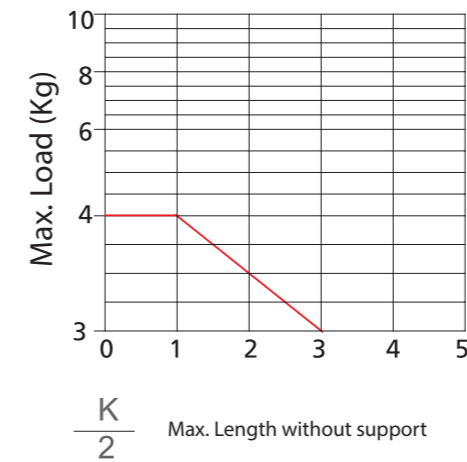
K: Movement distance

Y: Radius

$$L: \frac{K}{2} + Y$$

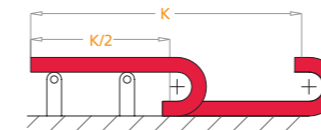


### IMPORTANT POINTS



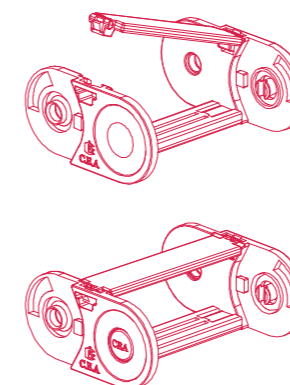
#### Self-supporting Capacity Diagram

Self-supporting capacity of the cable carrier according to weight of the cables and hoses  $\frac{K}{2}$



How to use support rollers:

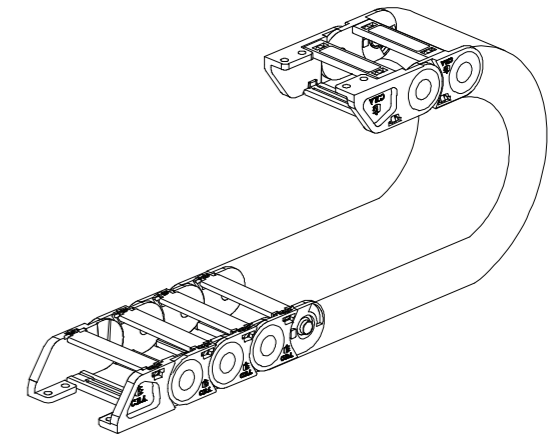
- Support rollers should be used after 3 meters
- Make sure that the cap (cover) is fixed properly
- Use an appropriate hand tool (screw driver) to open the cap
- Be careful not to damage the fixing nail of the cap (cover)



### How to choose end bracket

#### End bracket

End brackets are the parts to be used to fix the cable carrier to the machine or equipment



Should be attached to the both ends of the cable carrier.

CABLE CARRIER CODE	END BRACKET CODE	A	B
SC1.3 040 R_01	SC1.3 B040	22	60
SC1.3 060 R_01	SC1.3 B060	42	80
SC1.3 080 R_01	SC1.3 B080	62	100
SC1.3 100 R_01	SC1.3 B100	82	120
SC1.3 120 R_01	SC1.3 B120	102	140

