

# SC1YK

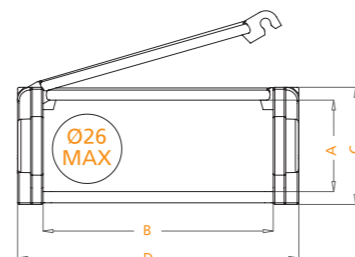
## CABLE CARRIERS MEDIUM SERIES

Inner Height (A) 30mm	Code	Radius	(A)mm	(B)mm	(C)mm	(D)mm	Weight Kg/Mt
<ul style="list-style-type: none"> <li>• One side has fixed and complete cover, other side (radius side) has openable cover (cap)</li> <li>• Bottom side is completely closed, upside is open</li> <li>• Semi-open model</li> <li>• Should be used in supporting trays</li> </ul>	SC1YK 040 R_01	75-100-150-200	30	40	40	56	0.955gr
	SC1YK 060 R_01	75-100-150-200	30	60	40	76	1.105gr
	SC1YK 080 R_01	75-100-150-200	30	80	40	96	1.198gr

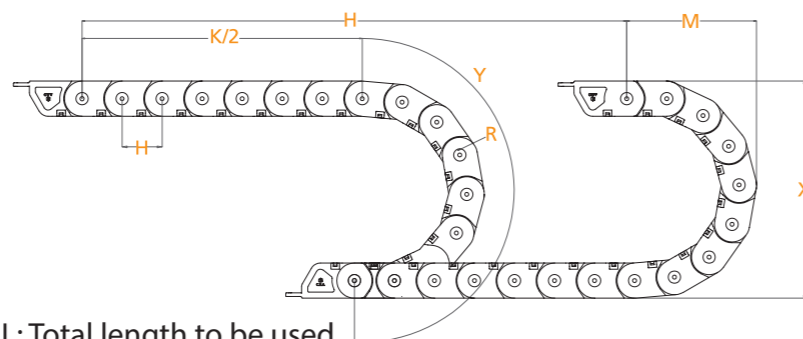
Maximum working speed :6M/S

Radius MUST be given in your orders. Example:

SC1YK 060 R75



R mm	H mm	X mm	M mm	Y mm
75	45	190	140.5	328
100	45	240	165.5	406
150	45	340	215.5	563
200	45	440	265.5	720

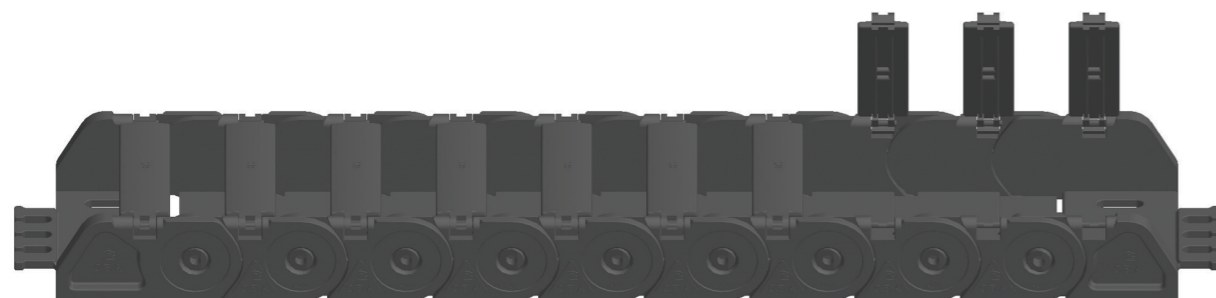


L: Total length to be used

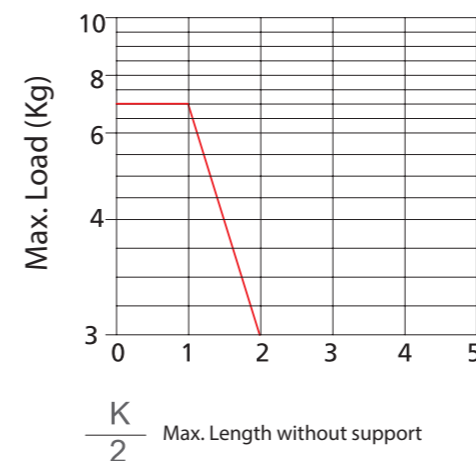
K: Movement distance

Y: Radius

$$L: \frac{K}{2} + Y$$



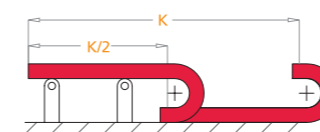
### IMPORTANT POINTS



#### Self-supporting Capacity Diagram

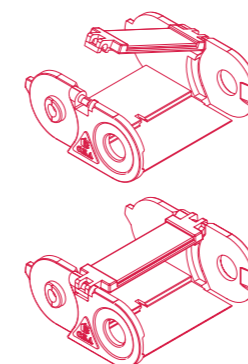
Self-supporting capacity of the cable carrier according to weight of the cables and hoses

$$\frac{K}{2}$$



How to use support rollers:

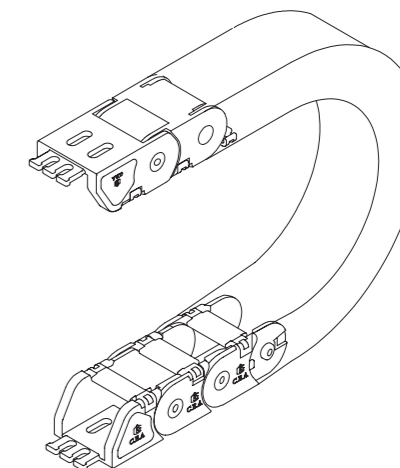
- Support rollers should be used after 2,5 meters
- Make sure that the cap (cover) is fixed properly
- Use an appropriate hand tool (screw driver) to open the cap
- Be careful not to damage the fixing nail of the cap (cover)



### How to choose end bracket

#### End bracket

End brackets are the parts to be used to fix the cable carrier to the machine or equipment



Should be attached to the both ends of the cable carrier

CABLE CARRIER CODE	END BRACKET CODE	A	B
SC1YK 040 R_01	SC1 B040	20	56
SC1YK 060 R_01	SC1 B060	40	76
SC1YK 080 R_01	SC1 B080	60	96

