

SB1.1

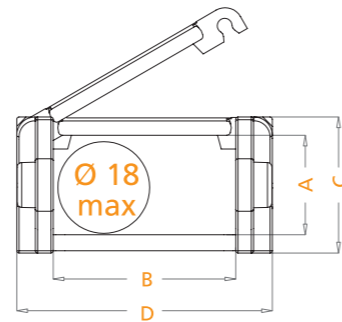
CABLE CARRIERS MEDIUM SERIES

Inner Height (A) 21mm	Code	Radius	(A)mm	(B)mm	(C)mm	(D)mm	Weight Kg/Mt
<ul style="list-style-type: none"> • One side is fixed, other (radius) side is openable • Should be used in supporting trays • Suitable for long movement lengths 	SB1.1 040 R_01	40-75-100	21	40	30	56	0.700gr
	SB1.1 060 R_01	40-75-100	21	60	30	76	0.800gr
	SB1.1 080 R_01	40-75-100	21	80	30	96	0.850gr

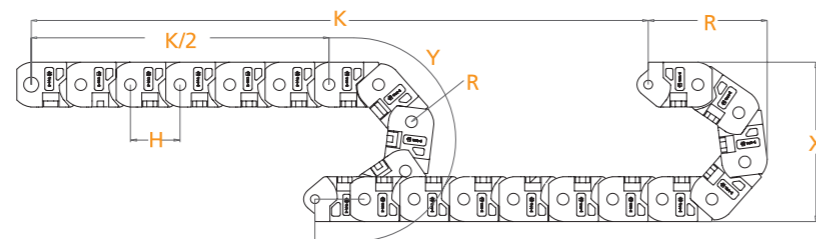
Maximum working speed :8M/S

Radius MUST be given in your orders. Example:

SB1.1 060 R75

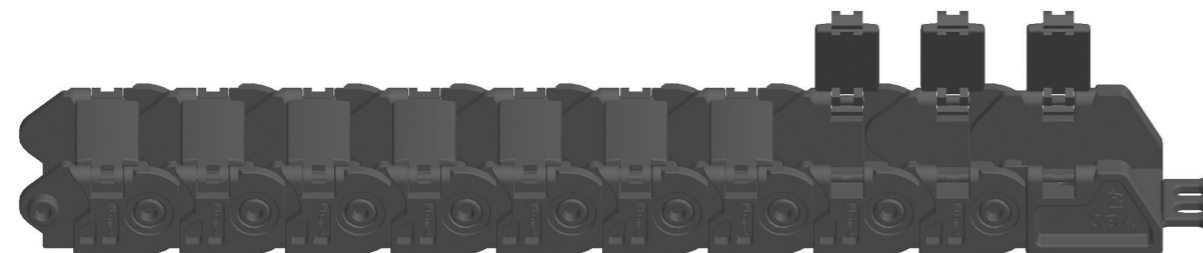


R mm	H mm	X mm	M mm	Y mm
40	33	110	80	132
75	33	180	130	264
100	33	230	150	330

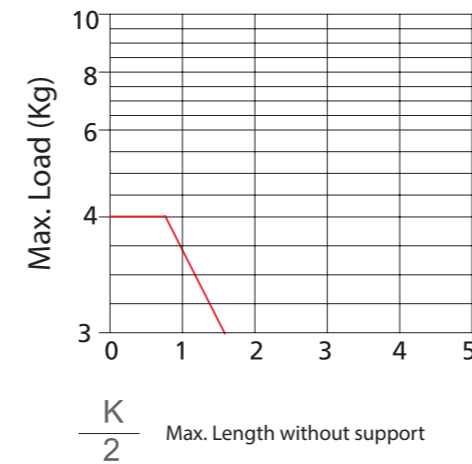


L: Total length to be used
K: Movement distance
Y: Radius

$$L: \frac{K}{2} + Y$$



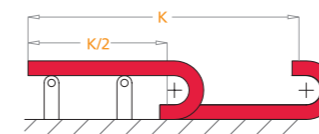
IMPORTANT POINTS



Self-supporting Capacity Diagram

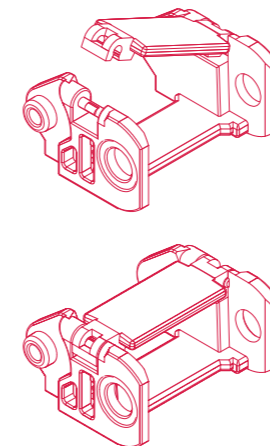
Self-supporting capacity of the cable carrier according to weight of the cables and hoses

$$\frac{K}{2}$$



How to use support rollers:

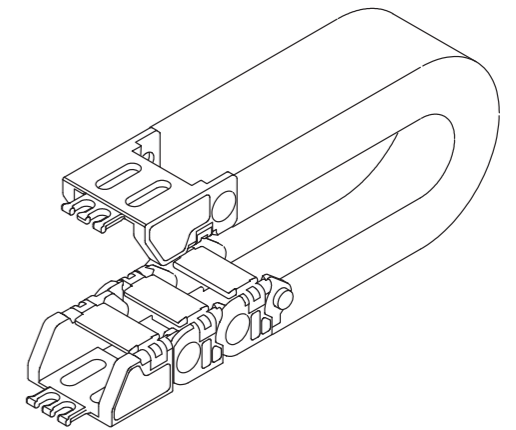
- Support rollers should be used after 2 meters
- Make sure that the cap (cover) is fixed properly
- Use an appropriate hand tool (screw driver) to open the cap
- Be careful not to damage the fixing nail of the cap (cover)



How to choose end bracket

End bracket

End brackets are the parts to be used to fix the cable carrier to the machine or equipment .



Should be attached to the both ends of the cable carrier

CABLE CARRIER CODE	END BRACKET CODE	A	B
SB1.1 040 R_01	SB1.1 B040	20	56
SB1.1 060 R_01	SB1.1 B060	35	76
SB1.1 080 R_01	SB1.1 B080	55	96

